

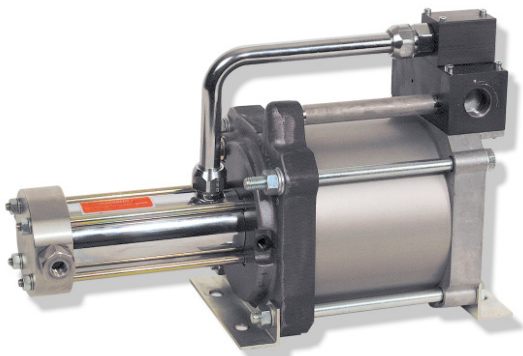
# MAXIMATOR®

## Maximum Pressure.



High Pressure Technology • Testing Equipment  
Hydraulics • Pneumatics

### Technical Data Sheet



DLE 75-1  
single acting, single air drive head  
single stage

### Gas booster DLE 75-1

#### Technical Data:

Air drive pressure pL:	1-10 bar / 14,5 - 145psi
Pressure ratio i:	1:75
Compression ratio	1:20
Minimum suction pressure pA:	35
Maximum suction pressure pA:	750 bar
Maximum outlet pressure pB:	750 bar
Displacement volume/double stroke:	25 cm <sup>3</sup>
Maximum cycles:	130 / min
Stall pressure:	PB = i * pL

#### Standard Connections:

Air drive:	3/4 BSP
DLE 75-1 (-GG)	Inlet/Outlet: 1/4BSP
Maximum operating temperature	100°C
Net weight:	13 kg

Pressure and flow performances, please see enclosed graph.

#### Materials of construction hp section DLE 75-1:

Standard seal package:	PTFE, Viton
Compressor head:	1.4305
HP cylinder:	1.4542
HP piston:	1.4305
Fittings:	1.4305
Balls:	1.4034
Springs:	1.4310

#### Approximate Dimensions:

Length:	448 mm
Width:	181 mm
Height:	275 mm

#### Available Options:

Inert gas service (standard)	DLE 75-1 (-GG)
Oxygen service:	DLE 75-1-GG-S
CO <sub>2</sub> service:	DLE 75-1-GG-C
In-/Outlet: 9/16-18UNF	DLE 75-1-UU
In-/Outlet: 1/4NPT	DLE 75-1-NN

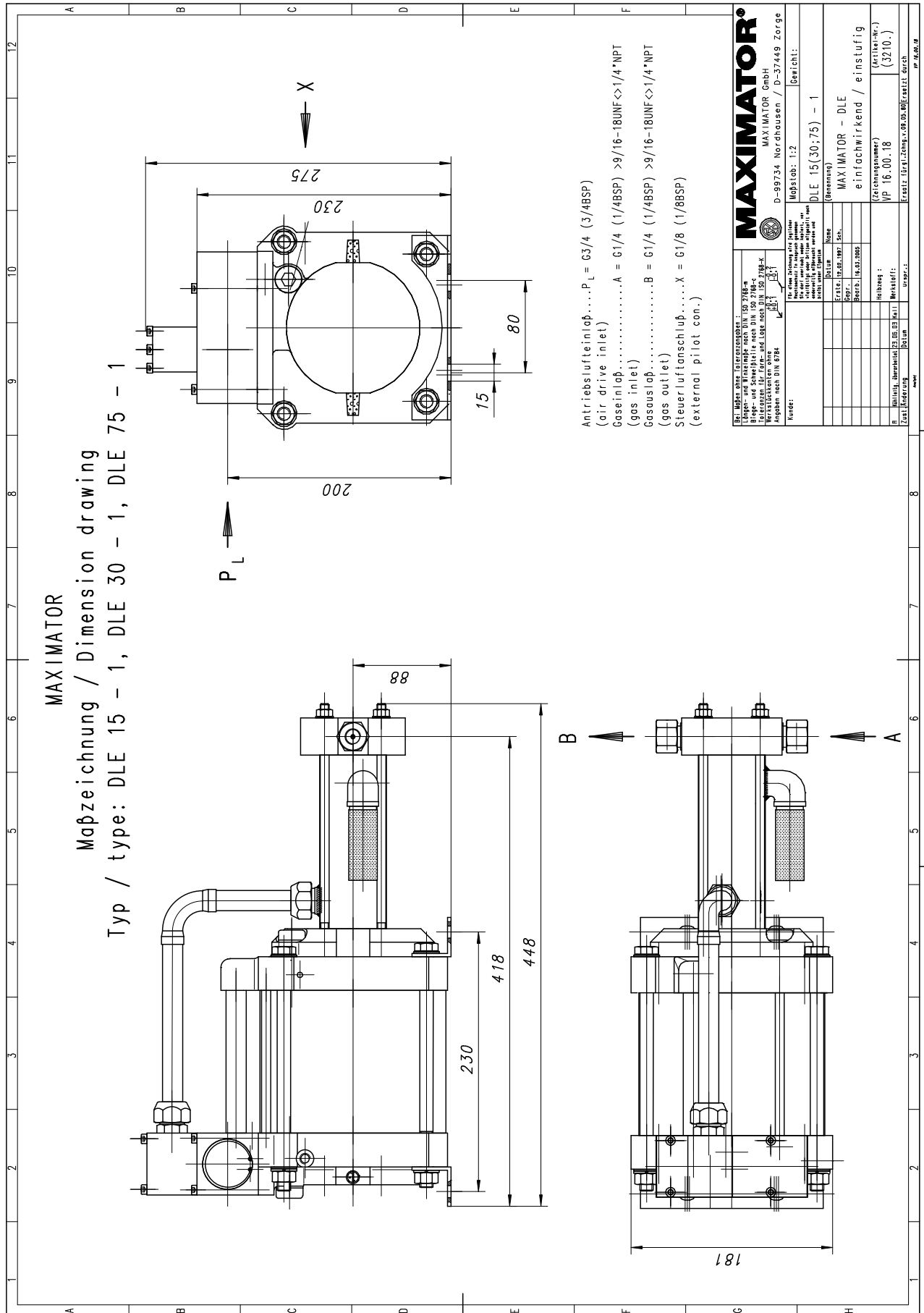
#### Available Accessories:

Air control units with filter pressure regulator, control pressure gauge and shut off valve:	DLE 75-1 with C2
To protect the booster against excessive outlet pressures or to limit the outlet pressure, a safety valve can be fitted to the air control unit in the air drive line:	DLE 75-1 with C2/SVair (The required outlet pressure has to be indicated.)

**Please consult factory for more information.** All technical and dimensional information subject to change. All General Terms and Conditions of sale, including limitations of our liability, apply to all products and services sold.



High Pressure Technology • Testing Equipment  
Hydraulics • Pneumatics



# MAXIMATOR®

## Maximum Pressure.



High Pressure Technology • Testing Equipment  
Hydraulics • Pneumatics

